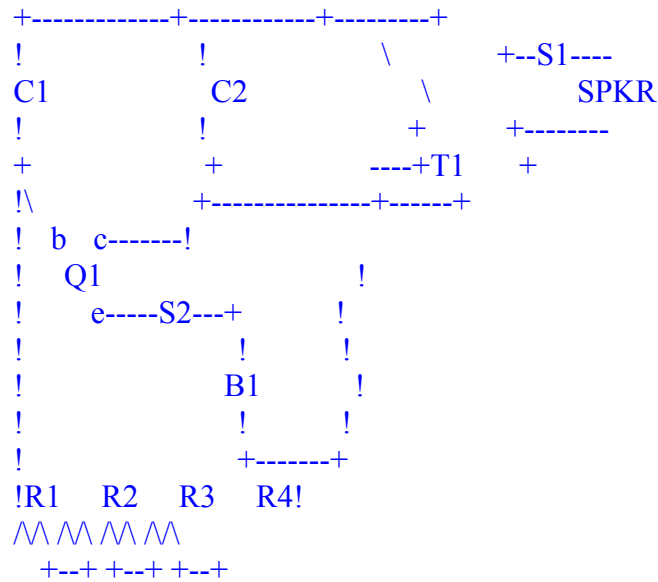




(Schematic for The Pearl Box)



Now that you are probably thoroughly confused, let me explain a few minor details. The potentiometer area is rigged so that the left pole is connected to the center pole of the potentiometer next to it. The middle terminal of T1 is connected to the piece of wire that runs down to the end of the battery.

Correct operation of The Pearl Box:

=====

You may want to get some dry-transfer decals at Radio Shack to make this job a lot easier. Also, some knobs for the tops of the potentiometers may be useful too. Use the decals to calibrate the knobs.

R1 is the knob for the ones place, R2 is for the tens place, R3 if for the hundreds place and R4 is for the thousands place. S1 is for producing the all the tones and S2 is for power.

Step 1: Turn on the power and adjust the knobs for the desired tone.

(Example: For 2600 hz- R1=0:R2=0:R3=6:R4=2)

Step 2: Hit the pushbutton switch and VWALA! You have the tone. If you don't have a tone recheck all connections and schematic. If you still don't have a tone call Brainstorm BBS:612-345-2815, The Bay:415-775-2384 or Pirate's Harbor:617-720-3600 and leave me e-mail stating what the scene is.